



✓ RoHS

## PTS-420 SERIES

### 4 to 20mA Position Transmitter

#### SPECIFICATIONS

- ◆ Process controls transmitter
- ◆ 4-20mA, 2-wire current loop operation
- ◆ Measurement ranges from 0.25 to 10 inch
- ◆ Self contained electronics
- ◆ Zero and span adjustable
- ◆ Rugged splash-proof housing
- ◆ Pipe thread ports for electrical conduits

The **PTS-420 Series Position Transmitter** combines a linear position sensor with custom electronics and a rugged splash-proof housing. Designed specifically for operation in demanding environments, the PTS-420 delivers a 4-20mA current loop output, making it the ideal choice for process control applications.

The PTS-420 operates on a +10.5 to +28VDC loop voltage. The integral conditioning electronics convert the DC input voltage into the required AC excitation voltage for the position sensor, and demodulates the AC voltage output into a smooth 4-20mA signal. Zero and span adjustment with 10-turn potentiometers, as well as the barrier type terminal strip, are all easily accessible by removing the top cover, thereby simplifying installation and calibration.

Available in a number of linear measurement ranges from 0.25 to 10 inches, the rugged construction and reliable performance of the PTS-420 satisfies the most challenging application requirements such as in power generation, rolling mills and water treatment plants. The 4-20mA current loop output is compatible with most PLCs and allows operation with long cables.

Like in most of our LVDTs, the PTS-420 windings are vacuum impregnated with a specially formulated, high temperature, flexible resin, and the coil assembly is potted inside its housing with a two-component epoxy. This provides excellent protection against hostile environments such as high humidity, vibration and shock.

#### FEATURES

- ◆ Compatible with most process controllers
- ◆ Ideal for electrically noisy environments
- ◆ 2-wire current loop operation
- ◆ Screwdriver adjustments for ease of calibration
- ◆ Rain-tight, splash-proof housing
- ◆ Imperial or metric threaded core
- ◆ Calibration certificate supplied with all units

#### APPLICATIONS

- ◆ Process control
- ◆ Power generation
- ◆ Air-handling systems
- ◆ Valve position monitoring
- ◆ Waste water sluice gate control
- ◆ Water filtration/treatment plants
- ◆ Rolling mill roller gap feedback

## PTS-420 SERIES

4 to 20mA Position Transmitter

### PERFORMANCE SPECIFICATIONS

ELECTRICAL SPECIFICATIONS						
Parameter	PTS-420 250	PTS-420 500	PTS-420 1000	PTS-420 2000	PTS-420 5000	PTS-420 10000
Stroke range	0.25 [6.35]	0.5 [12.7]	1 [25.4]	2 [50.8]	5 [127]	10 [254]
Sensitivity, mA/in [mm]	64 [2.52]	32 [1.26]	16 [0.63]	8 [0.315]	3.2 [0.126]	1.6 [0.063]
Non-linearity, max.	0.5% of FR				0.75% of FR	1.25% of FR
Temperature coefficient of sensitivity	0.022%/°F [0.04%/°C]					
Loop supply voltage	10.5 to 28VDC					
Output	4 to 20mA (Increases when the core is displaced towards the electrical connections)					
Output at null position	12mA (null position is defined as the mid-stroke position)					
Max loop resistance	540 ohms @ 24VDC (see loop resistance chart below)					
Output noise & ripple	25 $\mu$ A peak-to-peak, maximum					
Stability	0.05% of FSO, after 30 minute warm up					
Frequency response	50Hz @ -3db					
Controls	Zero and span potentiometers, 10 turn					

ENVIRONMENTAL AND MATERIAL SPECIFICATIONS	
Operating temperature range	-13°F to +185°F [-25°C to +85°C]
Housing material	Aluminum alloy
Electrical connection	Barrier type terminal strip with two #8-32 screws
IEC 60529 rating	IP65

#### Notes:

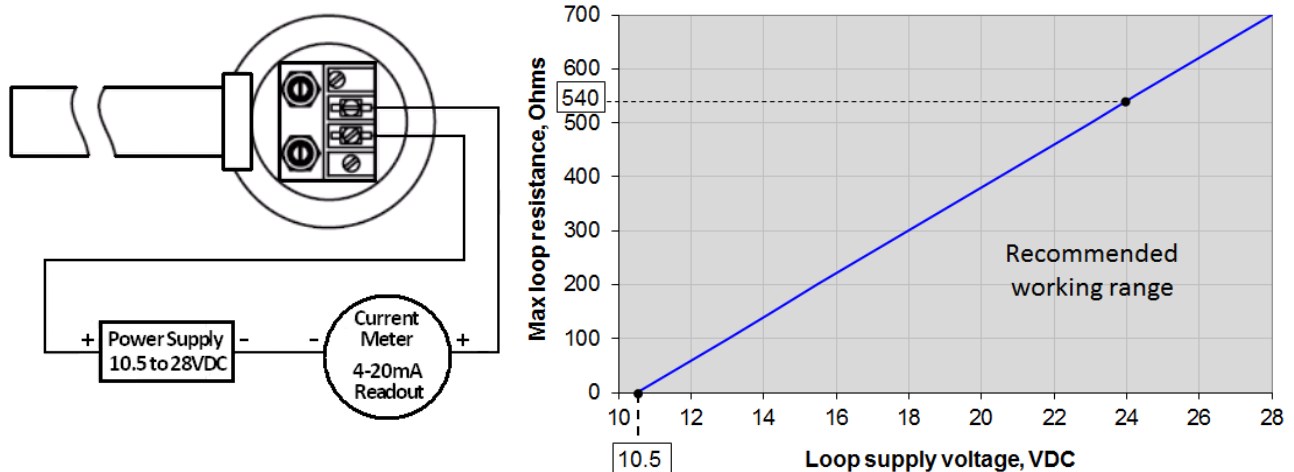
All values are nominal unless otherwise noted

Dimensions are in inch [mm] unless otherwise noted

FR: Full Range is the stroke range, end to end; FR=S for a 0 to S stroke range

FSO (Full Scale Output): Largest absolute value of the outputs measured at the ends of the range

### WIRING SCHEMATIC & LOOP RESISTANCE

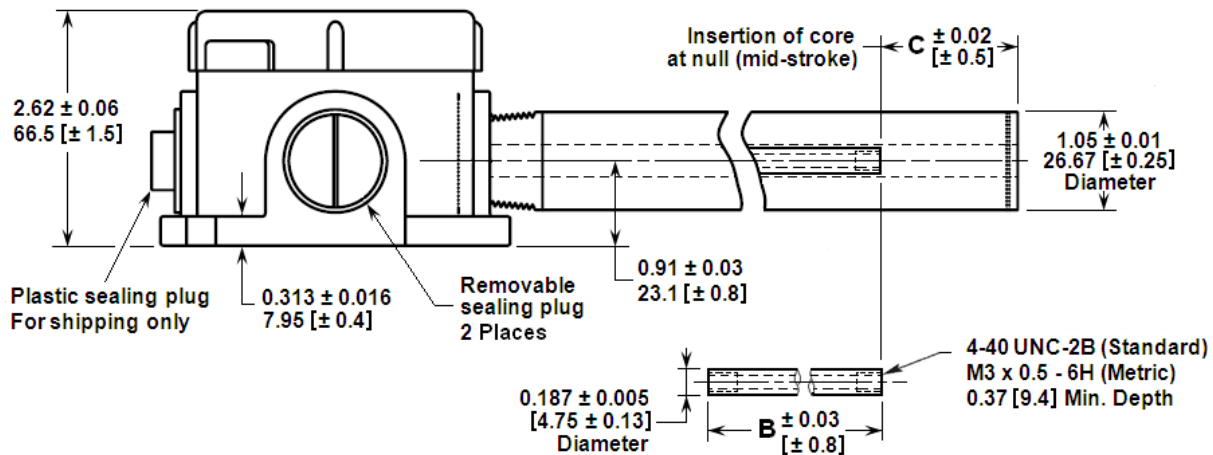
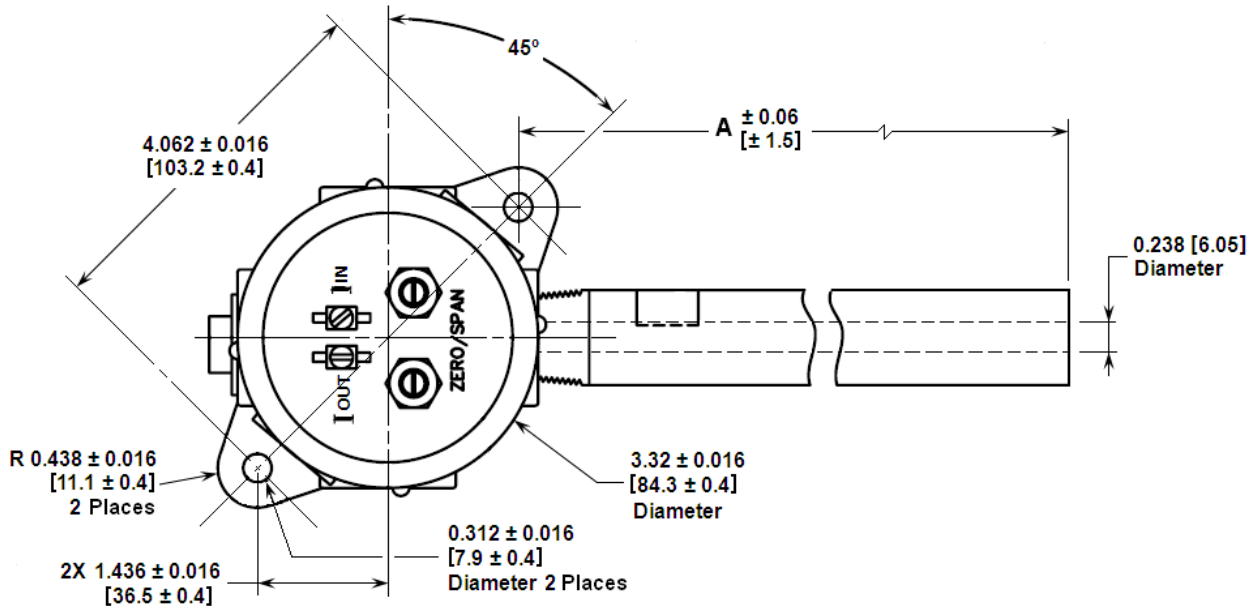


**PTS-420 SERIES**

4 to 20mA Position Transmitter

**MECHANICAL SPECIFICATIONS**

Parameter	PTS-420 250	PTS-420 500	PTS-420 1000	PTS-420 2000	PTS-420 5000	PTS-420 10000
Main body length "A"	3.53 [89.7]	4.66 [118.4]	6.07 [154.2]	8.34 [211.8]	11.46 [291.1]	20.77 [527.6]
Core length "B"	1.10 [27.9]	1.80 [45.7]	3.00 [76.2]	3.80 [96.5]	3.80 [96.5]	6.20 [157.5]
Insertion of core at null (mid-stroke) "C"	0.44 [11.2]	0.65 [16.5]	0.75 [19.1]	1.48 [37.6]	3.05 [77.5]	6.48 [164.6]
Weight, body, lb [kg]	1.6 [0.74]	1.8 [0.81]	2.0 [0.91]	2.3 [1.05]	2.5 [1.14]	2.9 [1.30]
Weight, core, oz [gram]	0.11 [3]	0.14 [4]	0.25 [7]	0.35 [10]	0.46 [13]	0.49 [14]



Dimensions are in inch [mm]